


BEANDEVICE[®] 2.4GHZ AX-3D

BEANDEVICE[®] 2.4GHZ AX-3D XRange

Main features	Reference	BND-2.4GHZ-AX-3D-2G-RB	BND-2.4GHZ-AX-3D-10G-RB	BND-2.4GHZ-AX-3D-2G-XR-RB-SCM	BND-2.4GHZ-AX-3D-10G-XR-RB-SCM	BND-2.4GHZ-AX-3D-2G-XR-RB-MM	BND-2.4GHZ-AX-3D-10G-XR-RB-MM
Measurement Range		±2g	±10g	±2g	±10g	±2g	±10g
Sensor Technology	Tri-axial MEMS accelerometer						
Mounting option	Adhesive Mounting			Screw Mounting		Magnetic Mounting	
Applications	Vibration Monitoring			High-accuracy Vibration Monitoring			
Spectral noise density@ BW 10Hz		45µg/vHz	100µg/vHz	45µg/vHz	100µg/vHz	45µg/vHz	100µg/vHz
Max. wireless Range (L.O.S. and N.L.O.S.)	500 m in L.O.S, 30-100 meters in N.L.O.S						
Maxi. sampling rate per axis (SPS—sample per second)	1000 SPS			1000 SPS			
Available Measurement mode	Low Duty Cycle 1s to 24h ,Streaming						
Data Logger Size	1 million logs			8 million logs			
Internal Battery	Rechargeable Lithium-Polymer battery 1250 mAh			Rechargeable Lithium-Polymer battery 2200 mAh			
Power supply options	External wall plug-in power supply (12V) with M8 Connector (Ref: PWR-M8-12V)						
Casing	Waterproof IP67 aluminum enclosure Dimensions in mm (LxWxH):80x55x36, Weight : 155g			Waterproof IP67 aluminum enclosure Dimensions in mm (LxWxH):100 x 71 x 38, Weight : 225g (screw mounting), 252g (magnetic mounting)			

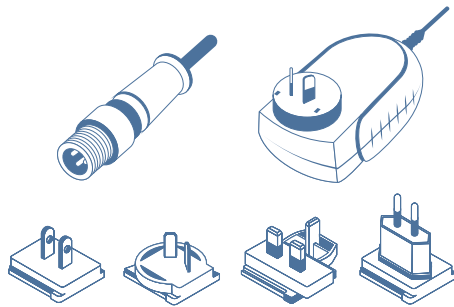

BEANDEVICE[®] 2.4GHZ AX-3DS

Main features	Reference	BND-2.4GHZ-AX-3DS-8G-RB	BND-2.4GHZ-AX-3DS-24G-RB	BND-2.4GHZ-AX-3DS-8G-RB-SCM	BND-2.4GHZ-AX-3DS-24G-SCM	BND-2.4GHZ-AX-3DS-8G-RB-MM	BND-2.4GHZ-AX-3DS-24G-RB-MM
Measurement Range		±2/4/8g	±6/12/24g	±2/4/8g	±6/12/24g	±2/4/8g	±6/12/24g
Sensor Technology	Tri-axial MEMS accelerometer						
Mounting option	Adhesive Mounting			Screw Mounting		Magnetic Mounting	
Applications	Shock, Impact and vibration monitoring						
Spectral noise density@ BW 10Hz		218 µg/vHz	650 µg/vHz	218 µg/vHz	650 µg/vHz	218 µg/vHz	650 µg/vHz
Max. wireless Range (L.O.S. and N.L.O.S.)	500 m in L.O.S, 30-100 meters in N.L.O.S						
Maxi. sampling rate per axis (SPS—sample per second)	1000 SPS			1000 SPS			
Available Measurement mode	Low Duty Cycle 1s to 24h, Smart Shock Detection (SSD), Streaming						
Data Logger Size	1 million logs						
Internal Battery	Rechargeable Lithium-Polymer battery 1250 mAh			Rechargeable Lithium-Polymer battery 2200 mAh			
Power supply options	External wall plug-in power supply (12V) with M8 Connector (Ref: PWR-M8-12V)						
Casing	Waterproof IP67 aluminum enclosure, Dimensions in mm (LxWxH) : 80x55x36, Weight : 155g						



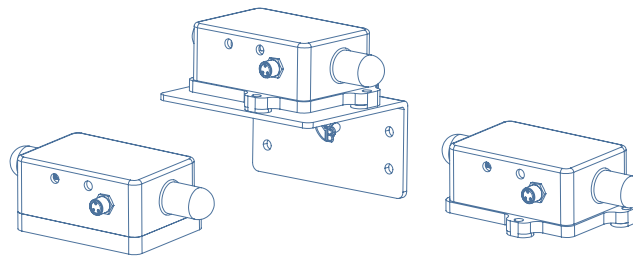
BEANDEVICE® 2.4GHZ AX-3D-SR

Main features	Reference	BND-2.4GHZ-AX-3D-SR-MR-PS-MO
Measurement Range		1.2T :tri-axis Low noise vibration sensor $\pm 1.2g/\pm 2.4g$
Sensor Tech.		Tri-axis MEMS Accelerometer
Mounting option		Screw Mounting
Sensor Resolution		0.17mg
Noise density		20 $\mu g/VHz$ for $\pm 1.2G$ measurement range 32 $\mu g/VHz$ for $\pm 2.4G$ measurement range
Sensor precision (full scale, @ 25°C, Static Measurement Mode every 2s)		$\pm 1mg$ for $\pm 1.2G$ measurement range $\pm 2mg$ for $\pm 2.4G$ measurement range
Offset LifeTime Drift (@25°C)		$\pm 4mg$
Sensitivity temperature dependency (temperature range -25°C to +85°C)		$\pm 0.3 \%$
Sensor frequency Response (-3 dB)		DC to 40 Hz for $\pm 1.2g$ measurement range DC to 70 Hz for $\pm 1.2g$ measurement range
Casing		Waterproof IP67 aluminum enclosure , Dimensions in mm (LxWxH): 100 x 71 x 38 , Weight : 225g (screw mounting), 252g (magnetic mounting)



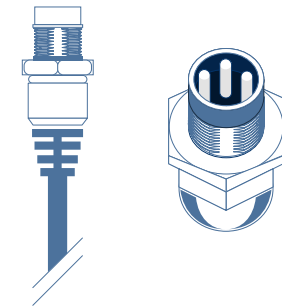
External Power Supply

Wall plug-in, Switchmode power Supply 12V @ 1,25A with sealed M8 Plug (IP67/Nema 6) Ref : M8-PWR-12V



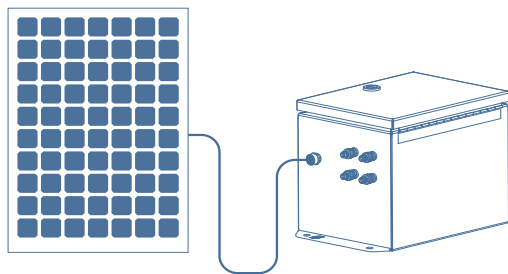
Mechanical Mounting Options

- 90° Bracket for BeanDevice (Xrange smartsensor) with 4 x M5 screws + Locknut Ref: SMART-BRACK-MNT
- Magnetic Mounting Lid



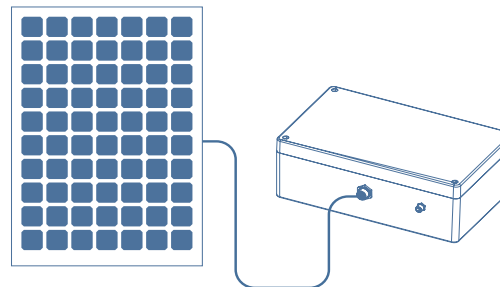
M8 extension cable for external power supply

Molded cable with M8-3pins male plug
Material: PVC with shield protection
IP Rating : IP67 | Nema 6
Cable length : 2 meters , Ref: CBL-M8-2M
Cable length : 5 meters, Ref: CBL-M8-5M
Cable length : 10 meters, Ref: CBL-M8-10M



Solar Panel Kit (14AH)

X-Solar 14ah | Solar Panel with Solar Charging Controller Ref: X-SOL-14AH-SLP-VOUT-CL



Solar Panel Kit (7AH)

X-Solar 7ah | Solar Panel with Solar Charging Controller Ref: X-SOL-7AH-SLP-VOUT-CL



Calibration Certificate

Calibration certificate provided by Beanair GmbH
A static calibration method is used on a granite surface plate DIN876
Ref : CERT-CAL-SMART

[More info](#)

[More info](#)