

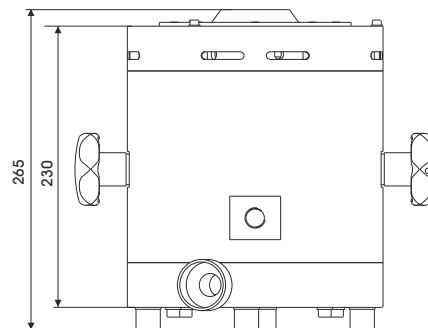
## TECHNICAL PARAMETERS Vibration exciter S 51110-C

Rated peak force Sine <sub>pk</sub> /Random <sub>RMS</sub> <sup>1</sup>	100/50 N
Frequency range	10 - 25000 Hz
Main resonance frequency	>25000 Hz
Max. displacement Peak-Peak <sup>2</sup>	4 mm
Max. velocity	1.2 m/s
Max. acceleration Sine/Random	25/12 g
Effective moving mass	0.40 kg
Total mass	33 kg
Armature diameter	54 mm

1) Random force according to ISO 5344:2004  
2) Payload has an impact on the possible maximum displacement

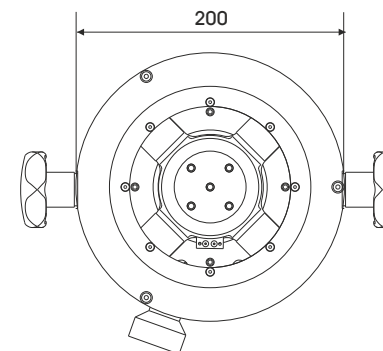


S 51110-C (Example drawing) (mm)



## SCOPE OF DELIVERY, OPTIONS AND FEATURES OF THE SYSTEM

Scope of delivery:	Options:	Features:
Vibration exciter 100 N	Trunnion mount	Vibration isolation
Power amplifier 120 VA	Cable extension	High cross-axial stiffness
Connection cable (5 m)	Factory acceptance test	Vibration system made of ceramic material
Power cable (1.5 m) for amplifier (CEE 7/7 connector)		Minimum maintenance effort
		Made in Germany
		Service hotline



## TECHNICAL PARAMETERS Power Amplifier BAA 120

Output power <sub>RMS</sub>	120 VA
Frequency range	DC - 20 kHz
Voltage-/Current mode	yes/yes
Voltage <sub>RMS</sub> , max.	22 V
Current <sub>RMS</sub> , max.	5.5 A
Signal input voltage <sub>RMS</sub>	< 5 V
Distortion	< 0.05 %
Signal to noise ratio	> 100 dB
Total mass	9 kg
Dimensions (WxHxD)	440 x 90 x 290 mm
Power supply (Standard)	1 ~ / N / PE 230 V ±5% 50/60 Hz CEE 7/7
Recommended fuse protection (Standard)	16 A slow
Max. power consumption at 230 V	0.08 kVA
Interlocks:	Overload, Temperature, Clipping

**Features:**  
High Signal to noise ratio of > 100 dB

Option for power supply of 100 V or 120 V ±5% 50/60 Hz

