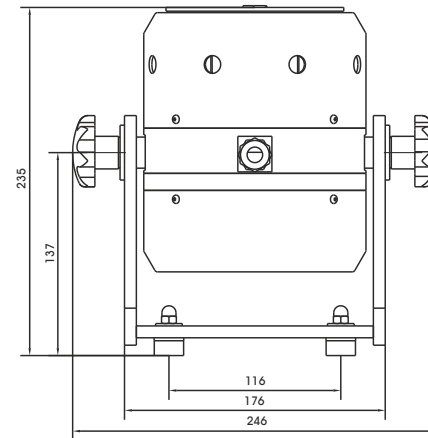


TECHNICAL PARAMETERS Modal exciter S 51110-M

Rated peak force Sine _{pk} /Random _{RMS} ¹	100/70 N
Frequency range	DC - 5000 Hz
Main resonance frequency (free-swinging)	>2680 Hz
Max. displacement Peak-Peak	13 mm
Max. velocity	1.5 m/s
Suspension stiffness	8 N/mm
Effective moving mass	0.23 kg
Total mass	12 kg
Coupling thread	M6

1) Random force according to ISO 5344:2004



SCOPE OF DELIVERY, OPTIONS AND FEATURES OF THE SYSTEM

Scope of delivery: Modal exciter 100 N Trunnion mount Power amplifier 120 VA Connection cable (3 m) Power cable (1.5 m) for amplifier (CEE 7/7 connector)	Options: Stinger (see Modal brochure for details) Cable extension Factory acceptance test	Features: Vibration isolation High cross-axial stiffness Light weight construction by using rare earth magnet Minimum maintenance effort Made in Germany Service hotline
--	---	---

TECHNICAL PARAMETERS Power Amplifier BAA 120

Output power _{RMS}	120 VA
Frequency range	DC - 20 kHz
Voltage-/Current mode	yes/yes
Voltage _{RMS} , max.	22 V
Current _{RMS} , max.	5.5 A
Signal input voltage _{RMS}	< 5 V
Distortion	< 0.05 %
Signal to noise ratio	> 100 dB
Total mass	9 kg
Dimensions (WxHxD)	440 x 90 x 290 mm
Power supply (Standard)	1 ~ / N / PE 230 V ±5% 50/60 Hz CEE 7/7
Recommended fuse protection (Standard)	16 A slow
Max. power consumption at 230 V	0.08 kVA
Interlocks:	Overload, Temperature, Clipping

Features:
High Signal to noise ratio of > 100 dB

Option for power supply of 100 V or 120 V ±5% 50/60 Hz

