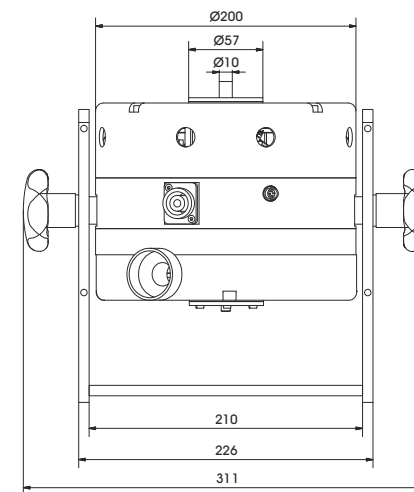


TECHNICAL PARAMETERS Modal exciter S 51120-MOSP

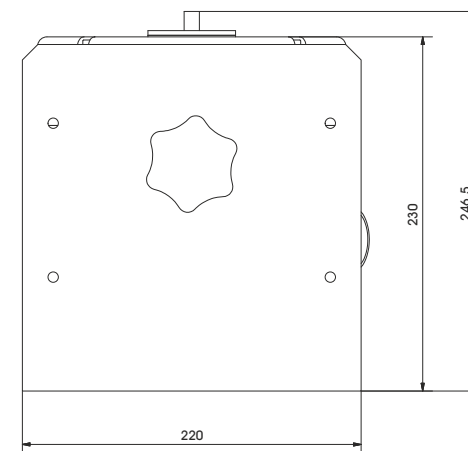
| | |
|---|--------------|
| Rated peak force Sine _{pk} /Random _{RMS} ¹ | 200/140 N |
| Frequency range | DC - 5000 Hz |
| Main resonance frequency (free-swinging) | > 6000 Hz |
| Max. displacement Peak-Peak | 25.4 mm |
| Max. velocity | 1.5 m/s |
| Suspension stiffness | 4 N/mm |
| Effective moving mass | 0.23 kg |
| Total mass | 21 kg |
| Coupling thread | M6 |

1) Random force according to ISO 5344:2004



SCOPE OF DELIVERY, OPTIONS AND FEATURES OF THE SYSTEM

| | | |
|--|---|--|
| <p>Scope of delivery: Modal exciter 200 N Trunnion mount Power amplifier 500 VA Cooling blower Connection cable (5 m) Power cable amplifier (1.5 m) Blower hose ø40 mm (3 m)</p> | <p>Options: Rack for mounting the amplifier Silencer for cooling blower (Noise reduction up to 5 dB(A)) Acoustic enclosure for cooling blower (Noise reduction 15 - 23 dB(A)) Stinger (see Modal brochure for details) Cable extension Factory acceptance test</p> | <p>Features: Vibration isolation Coarse filter unit High cross-axial stiffness Throughhole in the center of the armature for attaching tension-wire stingers Light weight construction by using rare earth magnet Minimum maintenance effort Made in Germany Servicehotline</p> |
|--|---|--|



TECHNICAL PARAMETERS Amplifier BAA 500

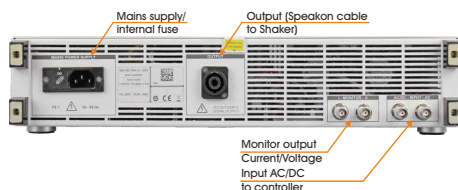
| | |
|--|--|
| Output power _{RMS} | 500 VA |
| Frequency range | DC - 20 kHz |
| Voltage-/Current mode | yes/yes |
| Voltage _{RMS} max | 45 V |
| Current _{RMS} max. (below 5 Hz) | 11.2 A (5 A) |
| Signal input voltage _{RMS} | < 5 V |
| Distortion | < 0.1 % |
| Signal to noise ratio | > 110 dB |
| Total mass | 18 kg |
| Dimensions (WxHxD) | 440 x 90 x 290 mm |
| Power supply (Standard) | 1 ~ / N / PE 230 V±5% 50 Hz, CEE 7/7 |
| Recommended fuse protection (Standard) | 16 A slow |
| Max. power consumption at 230 V | 0.35 kVA |
| Interlocks: | Overload, temperature, clipping and more |

Features:
High Signal to noise ratio of > 110 dB

TECHNICAL PARAMETERS Cooling blower TB 0080

| | |
|-----------------------------------|--------------------------------------|
| Volume flow rate | max. 80 m³/h |
| Total pressure difference | max. 120 hPa |
| Power | 0.37 kW |
| Frequency | 50 Hz |
| Hose diameter | 40 mm |
| Hose length (Std.) | 3 m |
| Total mass | 10 kg |
| Dimensions (WxHxD) | 246 x 256 x 247 mm |
| Sound pressure level, max. | max. 53 dB(A) |
| Power supply (standard) | 1 ~ / N / PE 230 V±5% 50 Hz, CEE 7/7 |
| Max. current consumption at 230 V | 2.7 A |

Options:
 Silencer TB 0080-SI (Noise reduction up to 5 dB(A))
 Dimensions (LxD): 310 x 65 mm
 Mass: 0.2 kg
 Acoustic enclosure TB 0080-AE (Noise reduction 15 - 23 dB(A))
 Dimensions (WxHxD): 860 x 760 x 650 mm
 Mass: 45 kg
 Hose length according to customers request (up to 10 m)



Cooling blower TB 0080



Silencer TB 0080-SI (optional)



Acoustic enclosure TB 0080-AE (optional)