

Vibration Test System TV 52110

TECHNICAL PARAMETERS Vibration exciter S 52110

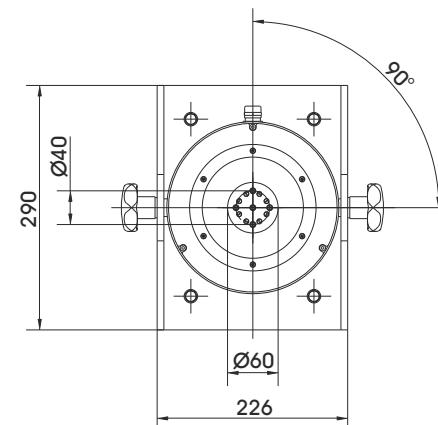
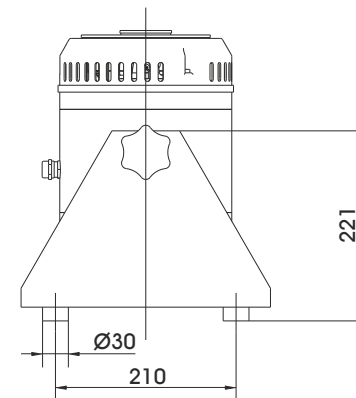
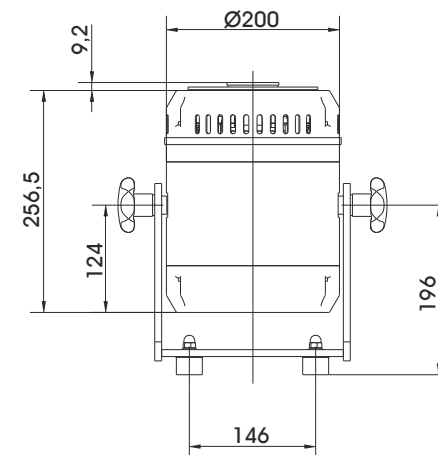
Rated peak force Sine _{pk} /Random _{RMS} ¹	100/50 N
Frequency range	2 - 7000 Hz
Main resonance frequency	>5700 Hz
Max. displacement Peak-Peak ²	15 mm
Max. velocity	1.5 m/s
Max. acceleration Sine/Random	50/25 g
Suspension stiffness	13.1 N/mm
Effective moving mass	0.25 kg
Total mass	36 kg
Armature diameter	60 mm

1) Random force according to ISO 5344:2004

2) Payload has an impact on the possible maximum displacement



S 52110 (Example drawing) (mm)



SCOPE OF DELIVERY, OPTIONS AND FEATURES OF THE SYSTEM

Scope of delivery:
Vibration exciter 100 N
Trunnion mount
Power amplifier 120 VA
Connection cable (3 m)
Power cable (1.5 m)
for amplifier (CEE 7/7 connector)

Options:
Cable extension
Modal adapter M6
Stinger (see Modal brochure for details)
Factory acceptance test

Features:
Vibration isolation
High cross-axial stiffness
Minimum maintenance effort
Made in Germany
Service hotline

TECHNICAL PARAMETERS Power Amplifier BAA 120

Output power _{RMS}	120 VA
Frequency range	DC - 20 kHz
Voltage-/Current mode	yes/yes
Voltage _{RMS} , max.	22 V
Current _{RMS} , max.	5.5 A
Signal input voltage _{RMS}	< 5 V
Distortion	< 0.05 %
Signal to noise ratio	> 100 dB
Total mass	9 kg
Dimensions (WxHxD)	440 x 90 x 290 mm
Power supply (Standard)	1 ~ / N / PE 230 V ±5% 50/60 Hz CEE 7/7
Recommended fuse protection (Standard)	16 A slow
Max. power consumption at 230 V	0.08 kVA
Interlocks:	Overload, Temperature, Clipping

Features:
High Signal to noise ratio of > 100 dB

Option for power supply of 100 V or 120 V ±5% 50/60 Hz

