

## TECHNICAL PARAMETERS Vibration exciter S 56280/LS-340

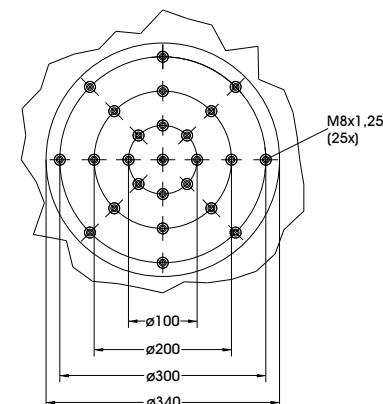
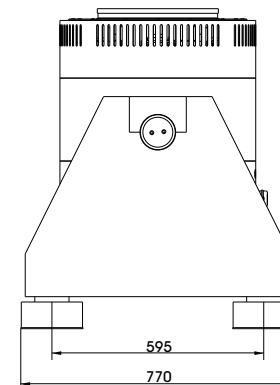
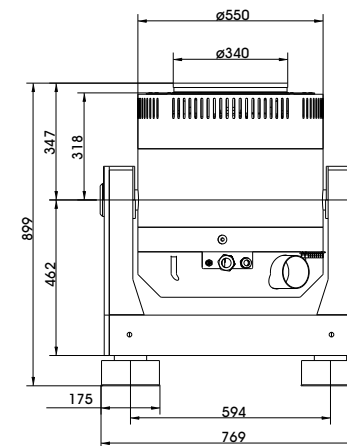
|   |  |
|---|--|
| Rated peak force Sine <sub>pk</sub> /Random <sub>RMS</sub> <sup>1</sup> /Shock <sub>pk</sub> <sup>2</sup> | 8000/7200/24000 N  |
| Frequency range   | 2 - 3000 Hz  |
| Main resonance frequency  | >2500 Hz   |
| Max. displacement Peak-Peak   | 50.8 mm  |
| Max. velocity Sine/Random/Shock   | 2.0/2.0/3.5 m/s  |
| Max. acceleration Sine/Random/Shock   | 88/65/200 g  |
| Suspension stiffness  | 50 N/mm  |
| Effective moving mass (±5%)   | 9.6 kg   |
| Max. payload  | 250 kg   |
| Total mass  | 780 kg   |
| Magn. stray field Std./low degaussing <sup>3</sup>  | <1.5/<0.8 mT   |
| Armature diameter   | 340 mm   |
| Min. required compressed air supply   | 600 kPa  |
| Interlocks  | Field coil temperature,<br>displacement, cooling air,<br>overcurrent, compressed air |

1) Random force according to ISO 5344:2004

2) Theoretical maximum shock value. Depends on payload, amplifier, shock and shock width

3) measured at 150 mm above armature

For long-term tests, the load must be reduced to 80 %. Continuous operation at maximum load can cause damage.



## SCOPE OF DELIVERY, OPTIONS AND FEATURES OF THE SYSTEM

|  |   |   |
|--|---|---|
| <p><b>Scope of delivery:</b><br/>         Vibration exciter 8 kN<br/>         Trunnion mount<br/>         Power amplifier 15 kVA<br/>         Cooling blower<br/>         Connection cable (5 m)<br/>         Power cable (5 m)<br/>         for amplifier (CEE 32 connector)<br/>         Blower hose ø140 mm (5 m)<br/>         Compressed-air hose NW 7,2<br/>         (Standard) (3 m)</p> | <p><b>Options:</b><br/>         Different thread inserts in the armature<br/>         at customer request<br/>         Low degaussing kit<br/>         to further reduce stray magnetic field<br/>         Squeak&amp;Rattle (Silent operation without blower)<br/>         Wheels&amp;Rails (incl. 3m rails)<br/>         Thermobarrier (-40°C to +140°C)<br/>         Chamber leadthrough<br/>         Climatic chamber support kit<br/>         Remote control (Software)<br/>         Silencer<br/>         for cooling blower (Noise reduction 3 - 6 dB(A))<br/>         Acoustic enclosure<br/>         for cooling blower (Noise reduction 5 - 23 dB(A))<br/>         Cable extension<br/>         Factory acceptance test</p> | <p><b>Options:</b><br/> <b>TIRA EMS</b> Energy Management System<br/>         Operation with temperature-controlled<br/>         cooling blower (and optional with<br/>         variable field strength)<br/>         ASM-Mode (Auto Shutdown Manager)</p> <p><b>Features:</b><br/>         Vibration isolation &lt; 6 Hz<br/>         Coarse filter unit<br/>         Fully automatic pneumatic<br/>         load compensation<br/>         Automatic centering of the armature<br/>         Degauss kit to reduce stray magnetic field<br/>         Made in Germany<br/>         Servicehotline</p> |
|--|---|---|

## TECHNICAL PARAMETERS Amplifier A 1 02 11 021 SV

|  |  |
|--|--|
| Max. output power <sub>RMS</sub> (factory-set)             | 15000 VA   |
| Frequency range  | DC - 5 kHz   |
| Voltage <sub>RMS</sub> , max.                              | ±212 V   |
| Current <sub>RMS</sub> , max. (factory-set)                | 40-100 A   |
| Signal input voltage <sub>RMS</sub>                        | 10 V   |
| Total Harmonic Distortion (at 70A <sub>RMS</sub> , 200 Hz) | < 0.2 %  |
| Signal to noise ratio                                      | > 80 dB  |
| Field voltage (factory-set)                                | 140-280 V  |
| Field current (factory-set)                                | 6-8 A  |
| Total mass   | 330 kg   |
| Dimensions (WxHxD)   | 600 x 1740 x 800 mm  |
| Power supply (Standard)                                    | 3~ / N / PE 400 V±5% 50 Hz, CEE 32   |
| Recommended fuse protection                                | 32 A slow  |
| Max. power consumption at 400 V (incl. blower)             | 17 kVA   |
| Interlocks:  | Overload, Temperature, Displacement, Cooling air, Compressed air, Phase monitoring, Emergency stop |

### Features:

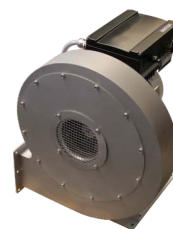
Field supply integrated  
Field voltage/Field current variable according to customer spec.  
4 Sigma peak current  
Mains switch and integrated line filter  
Color Touch Screen

## TECHNICAL PARAMETERS Cooling blower TB 9 FUK

|                                   |                        |
|-----------------------------------|------------------------|
| Max. volume flow rate             | 1080 m <sup>3</sup> /h |
| Total pressure difference         | 9 kPa                  |
| Motor output                      | 4 kW                   |
| Max. frequency                    | 90 Hz                  |
| Hose diameter                     | 140 mm                 |
| Hose length (Std.)                | 5 m                    |
| Total mass                        | 60 kg                  |
| Dimensions (WxHxD)                | 505 x 598 x 464 mm     |
| Max. sound pressure level         | 99 dB(A)               |
| Power supply (standard)           | by amplifier rack      |
| Max. current consumption at 400 V | 7.9 A                  |

### Options:

Silencer TB 9-SI (Noise reduction 3 - 6 dB(A))  
Dimensions (LxD): 1012 x 150 mm  
Mass: 1.2 kg  
Acoustic enclosure TB 9-AE (Noise reduction 5 - 23 dB(A))  
Dimensions (WxHxD): 1250 x 1393 x 1470 mm  
Mass: 103 kg  
Hose length according to customers request (up to 10 m)



Cooling blower TB 9 FUK



Silencer TB 9-SI (optional)



Acoustic enclosure TB 9-AE (optional)