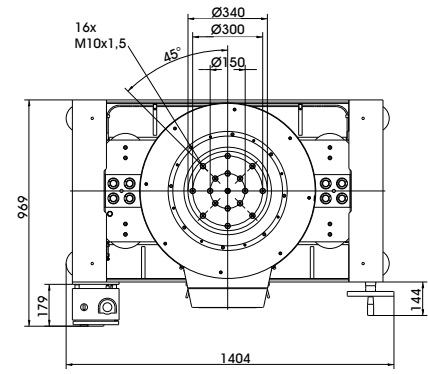
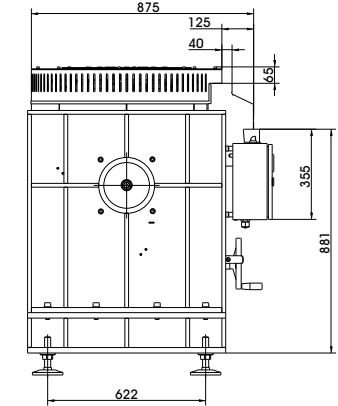
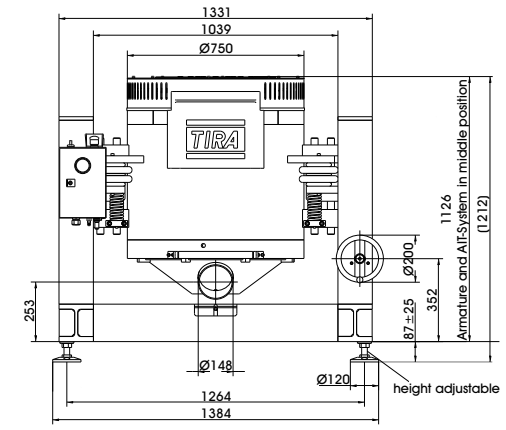


**TECHNICAL PARAMETERS** Vibration exciter S 59327/\*-340

Rated peak force Sine <sub>pk</sub> /Random <sub>RMS</sub> <sup>1</sup> /Shock <sub>pk</sub> <sup>2</sup>	27000/27000/80000 N
Frequency range	5 - 3000 Hz
Main resonance frequency	> 2400 Hz
Max. displacement Peak-Peak	50.8 mm
Max. velocity Sine/Random/Shock	2.0/1.8/3.0 m/s
Max. acceleration Sine/Random/Shock	84/65/167 g
Suspension stiffness	150 N/mm
Effective moving mass	29.0 kg
Max. payload	610 kg
Total mass with trunnion RIT/AIT/LB*	2350/2700/2250 kg
Magn. stray field std./low degaussing <sup>3</sup>	< 1.5/<0.8 mT
Armature diameter	340 mm
Required compressed air supply (load-dependent)	600-1000 kPa
Interlocks	Temperature, displacement, cooling air, overcurrent, compressed air



1) Random force according to ISO 5344:2004  
 2) Theoretical maximum shock value. Depends on payload, amplifier, shock and shock width  
 3) measured at 150 mm above armature inserts  
 For long-term tests, the load must be reduced to 80 %. Continuous operation at maximum load can cause damage.  
 \* RIT, AIT or LB (explanation see TIRA selection guide page 7)

**SCOPE OF DELIVERY, OPTIONS AND FEATURES OF THE SYSTEM**

<p><b>Scope of delivery:</b>                  Vibration exciter 27 kN                  Trunnion mount (AIT, RIT or LB)                  Power amplifier 25 kVA                  Cooling blower with frequency converter                  Connection cables (each 10 m)                  Power cables (each 10 m)                  for amplifier (CEE 63 connector) and                  cooling blower (CEE 32 connector)                  Blower hose ø150 mm (5 m)                  Compressed-air hose NW 7,2 (Standard) (5 m)</p>	<p><b>Options:</b>                  Different hole pattern of armature (different pitch diameter and/or thread inserts) at customers request                  Low degaussing kit to further reduce stray magnetic field                  Squeak&amp;Rattle (Silent operation without blower)                  Wheels&amp;Rails (incl. 3m rails)                  Airglide-option (Shaker movable on air cushions)                  Thermobarrier (-40°C to +140°C)                  Chamber leadthrough                  Climatic chamber support kit                  Remote control (Software)                  ASM-Mode (Auto Shutdown Manager)                  Silencer                  for cooling blower (Noise reduction 9 - 15 dB(A))                  Acoustic enclosure                  for cooling blower (Noise reduction 5 - 23 dB(A))                  Water-cooled acoustic enclosure                  for cooling blower (Noise reduction 30 dB(A))                  Cable extension                  Factory acceptance test</p>	<p><b>Options:</b>  <b>TIRA EMS</b> Energy Management System                  Operation with temperature-controlled cooling blower (and optional with variable field strength)</p> <p><b>Features:</b>                  Vibration isolation &lt; 3 Hz (AIT)                  &lt; 6 Hz (RIT;LB)                  Coarse filter unit                  Fully automatic pneumatic load compensation                  AIT fixable                  Automatic centering of the AIT-System and the armature                  Degauss kit to reduce stray magnetic field                  Made in Germany                  Servicehotline</p>
-------------------------------------------------------------------------------------------------------------------------------------------------------------------------------------------------------------------------------------------------------------------------------------------------------------------------------------------------------------------------------------------------------------------------------------------------------------------------------------------------------------------------------------------------------------------------------	------------------------------------------------------------------------------------------------------------------------------------------------------------------------------------------------------------------------------------------------------------------------------------------------------------------------------------------------------------------------------------------------------------------------------------------------------------------------------------------------------------------------------------------------------------------------------------------------------------------------------------------------------------------------------------------------------------------------------------------------------------------------------------------------------------------------------------------------------------------------------------------------------------------------------------------------------------------------------------------------------------------------------------------------------------------------------------------------------------------------------	------------------------------------------------------------------------------------------------------------------------------------------------------------------------------------------------------------------------------------------------------------------------------------------------------------------------------------------------------------------------------------------------------------------------------------------------------------------------------------------------------------------------------------------------------------------------------------------------------------------------------------------------------------------------------------

## TECHNICAL PARAMETERS Amplifier A 3 08 11 042

Output power <sub>RMS</sub>	25000 VA
Frequency range	DC - 5 kHz
Voltage <sub>RMS</sub> max.	±212 V
Current <sub>RMS</sub> max.	200 A
Signal input voltage	10 V
Total Harmonic Distortion (at 70A <sub>RMS</sub> , 200 Hz)	< 0.2 %
Signal to noise ratio	> 80 dB
Field voltage	105 V
Field current	75 A
Total mass	450 kg
Dimensions (WxHxD)	600 x 2200 x 800 mm
Power supply (Standard)	3~ / N / PE 400 V±5% 50 Hz, CEE 63
Recommended fuse protection (Standard)	50 A slow
Max. power consumption at 400 V	30 kVA
Interlocks:	Overload, Temperature, Displacement, Cooling air, Compressed air, Phase monitoring, Emergency stop

**Features:**  
 Field supply integrated  
 Mains switch and integrated line filter  
 Lo-Field/Hi-Field (Energy-saving mode)  
 Field voltage/Field current variable according to customer spec.  
 4 Sigma peak current  
 Color Touch Screen

## TECHNICAL PARAMETERS Cooling blower TB 7/FUK/11

Max. volume flow rate	1920 m³/h
Max. total pressure difference	16 kPa
Motor output	11 kW
Max. frequency	105 Hz
Hose diameter	150 mm
Hose length (Std.)	5 m
Total mass	113 kg
Dimensions (WxHxD)	625 x 775 x 602 mm
Max. sound pressure level	102 dB(A)

**Switch box (fixation to wall):**  
 Mass: 10 kg  
 Dimensions (WxHxD): 300 x 300 x 250 mm  
 Power supply (variable): 3~ / PE 400 V±5% 50 Hz, CEE 32  
 Recommended fuse protection (Standard): 32 A slow  
 Max. current consumption at 400 V: 25 A

**Options:**  
 Silencer TB 7/FUK-SI (Noise reduction 9 - 15 dB(A))  
 Dimensions (LxD): 1120 x 280 mm  
 Mass: 9.2 kg  
 Acoustic enclosure TB 7/FUK-AE (Noise reduction 5 - 23 dB(A))  
 Dimensions (WxHxD): 1250 x 1393 x 1470 mm  
 Mass: 103 kg  
 Water-cooled acoustic enclosure WWT (Noise reduction 30 dB(A))  
 Dimensions (WxHxD): 1500 x 2080 x 1200 mm  
 Mass: 800 kg  
 Hose length according to customers request (up to 10 m)



Frequency converter (enclosure)



Cooling blower TB 7/FUK/11



Silencer TB 7/FUK-SI (optional)



Acoustic enclosure TB 7/FUK-AE (optional)