

DynaGateway IoT-S/LTE-S



DynaGateway IoT-S: PN 600710-S

DynaGateway LTE-S: PN 600720-S

Datasheet December 2025

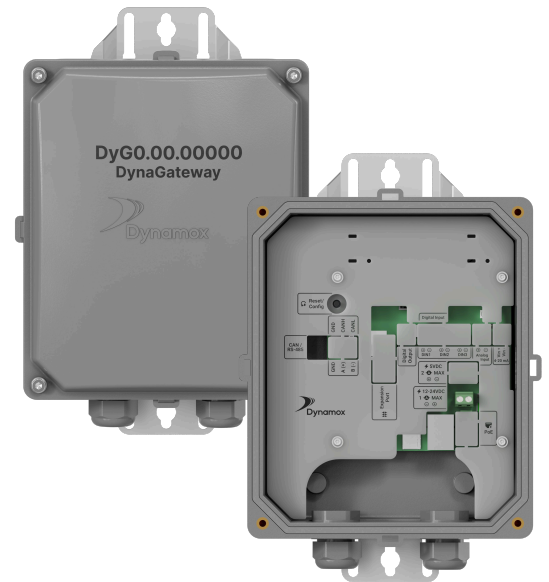
Overview

The DynaGateway is part of the Dynamox ecosystem and was developed to reliably and securely perform **automated collections** from the entire family of Dynamox wireless sensors. Through **Bluetooth** technology, the Gateway can receive telemetry data from different variables, high-resolution vibration spectra, and even high-definition images from thermographic sensors.

The data collected by the Gateway is transmitted to the **DynaPredict Platform** through one of the following communication options: **Ethernet, Wi-Fi, or Mobile Networks**. In scenarios of unstable internet communication, the data collected by the sensors is stored on the device via an **external SD card**, which has internal memory for offline data storage for up to 1 year.

This version also features an **integrated Mesh interface**, allowing the creation of a communication network between multiple devices - ideal for installations where only one device needs connectivity. Additionally, the Gateway allows remote firmware updates for the Gateway and sensors, meaning constant updates with new functionalities are possible.

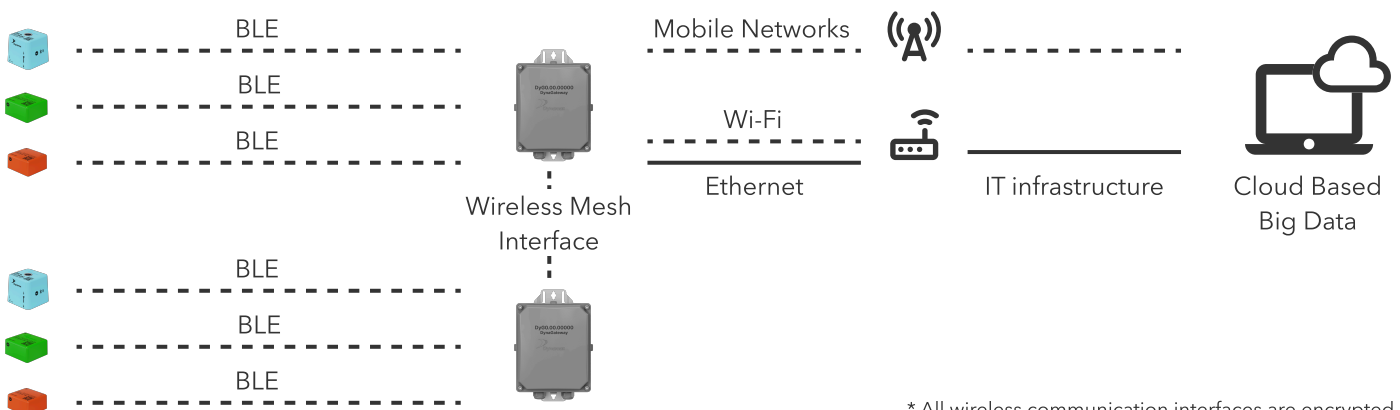
The **DynaGateway** is certified by **Anatel** and ensures safety and compliance with local standards. Its robust structure can maintain operation at temperatures up to **65 °C (149 °F)** with reliable performance in various applications.



Automated Collections

- Long-range automated collection via Bluetooth
- Different options for communication network
- Integrated Mesh network
- Flexible mounting
- Power supply via external source or passive PoE
- Quick Setup: Fast configuration
- Firmware update

Data Flow*



* All wireless communication interfaces are encrypted

PHYSICAL CHARACTERISTICS	
Dimensions	183.7 mm x 260.2 mm x 90.2 mm (7.24 in x 10.24 in x 3.55 in)
Weight	IoT/LTE: 995 g, IoT-S/LTE-S: 875 g
Material (casing)	ASA polycarbonate
Fixing	304 stainless steel
Operating Temperature	-24 °C ≤ T ≤ 65 °C (-11.2 °F ≤ T ≤ 149 °F)
Storage	External SD card (included)

POWER	
Power Supply	10-26 V - 1A ¹ or passive PoE
	10-26 V - 1 A via active PoE (external module)
Energy Consumption	4W (maximum), 2.5W (average)

COMMUNICATION INTERFACES		
Bluetooth	Protocol: Bluetooth	
	Frequency range: 2,402 - 2,480 MHz	
	Maximum transmission power: 21 dBm	
	Antenna gain: 3 dBi	
	Range: up to 700 m (in open field) ^{2,3}	
Ethernet	Data rate: 10/100 Mbps	
	Prot.: TCP, UDP, ICMP, IPv4, IPv6, ARP, IGMP, PPPoE, ISO 802-3/IEEE 802.3 (10BASE-T)	
Wi-Fi 2.4 GHz	Protocols: 802.11 b/g/n (802.11 n up to 150 Mbps)	
	Frequency range: 2,412 - 2,484 MHz	
	Transmission power: 20.5 dBm	
	Antenna gain: 3dBi	
Mobile Networks	LTE	4G: B1, B2, B3, B4, B5, B7, B8, B8_US, B9, B12, B13, B14, B18, B19, B20, B25, B26, B28
		3G: B1, B2, B4, B5, B6, B8, B19
	IoT	4G: B1, B2, B3, B4, B5, B8, B12, B13, B18, B19, B20, B25, B26, B27, B28, B66, B71, B85
		LTE-M/NB-IoT: Dual Mode LTE-M/NB-IoT
	LTE and IoT	2G: B2, B3, B5, B8
		Transmission power: 23 dBm
Antenna gain: 6.1 dBi		
Mesh Network	Operating frequency: 2,412 - 2,484 MHz	
Serial	Standards: ISO 11898-1, RS-485	
	Input voltage: min = -27 V, max = +40 V	
	Data rate: 1 Mbps	

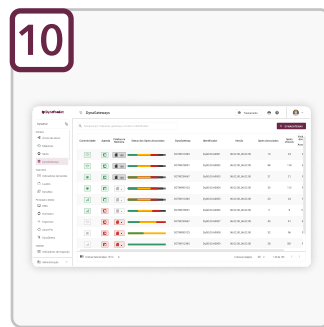
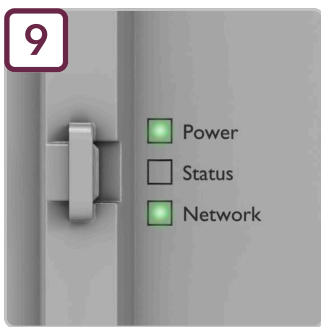
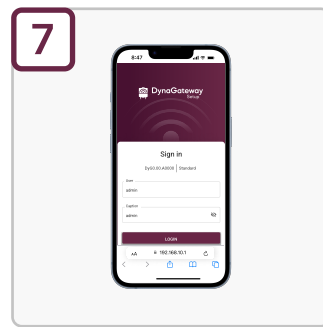
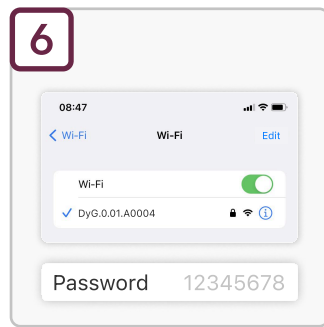
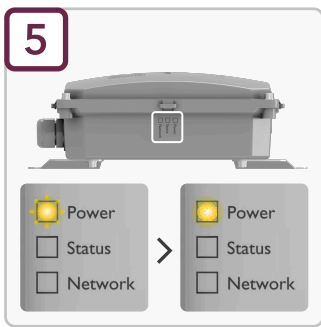
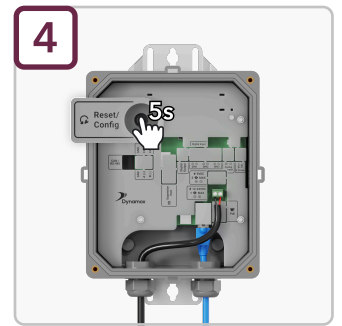
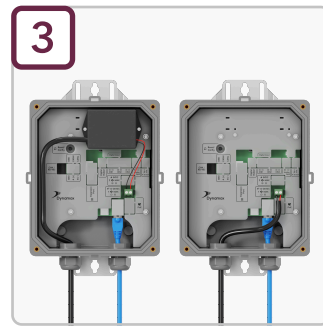
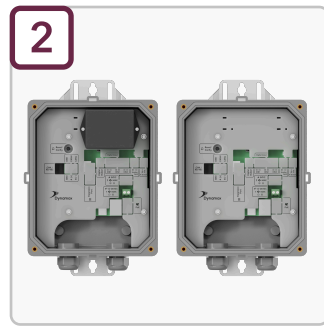
OTHER INTERFACES	
External Button	Reset and Setup
LED	RGB

CERTIFICATION / HOMOLOGATION	
Anatel (National Telecommunications Agency of Brazil), CE, FCC, IC	

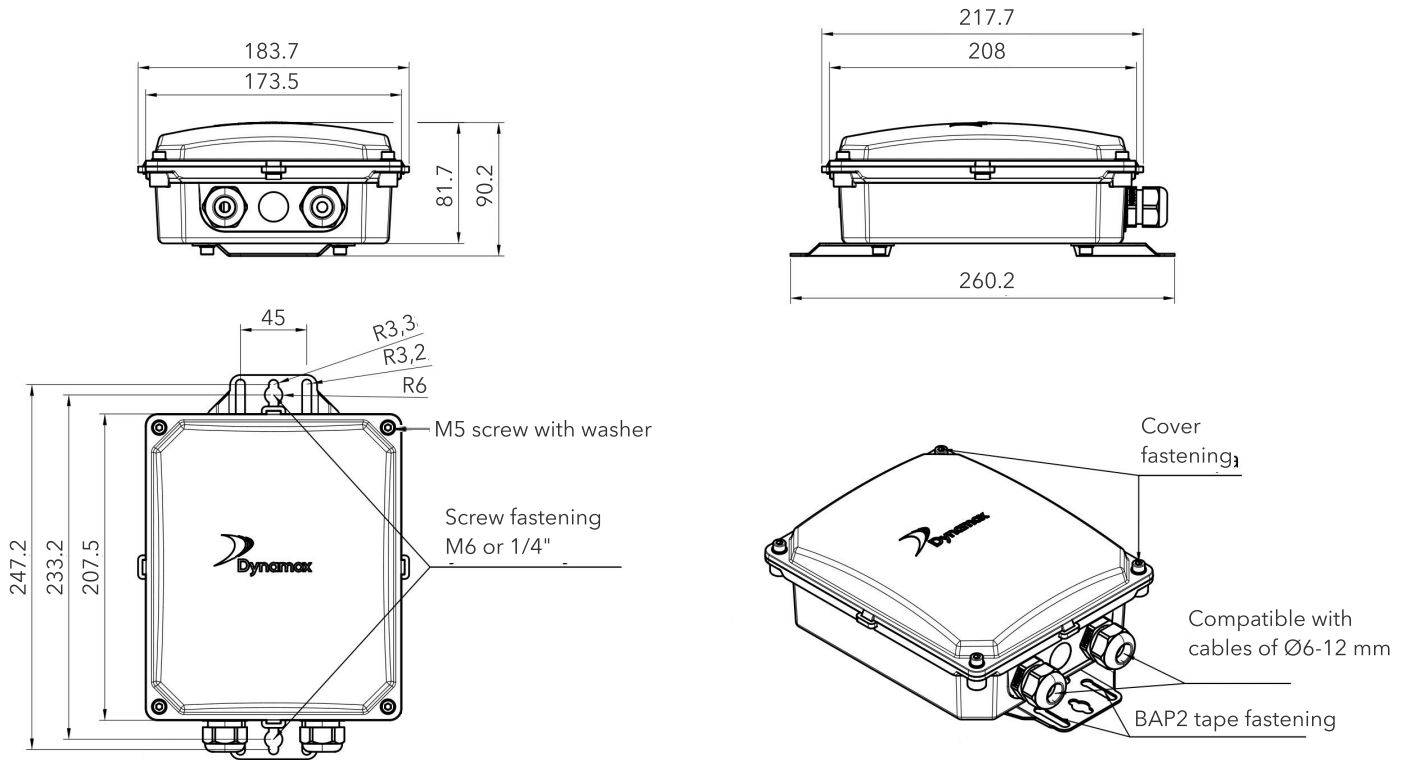
1 - DynaGateway models PN 600710-S and PN 600720-S don't come with an external power supply with 100~240 Vac input - 50/60 Hz. 2 - 400 m in unobstructed environments and with optimal positioning of the sensor and DynaGateway. 3 - 700 m with Long Range (LR) enabled, in unobstructed environments and with optimal positioning of the sensor and DynaGateway.

Quick Installation Guide

1. Remove the DynaGateway from the box. Scan the QR Code in the Getting Started guide included with the equipment to access the manual with usage instructions, technical information, initial guidelines, and warranty exchange details;
2. Remove the DynaGateway cover and check which type of power supply will be used;
3. Pass the cable through the outlet of the DynaGateway case and connect it to the available local power supply;
4. Press and hold the Reset/Config button for 5 seconds;
5. After this period, the Power LED will flash yellow. When you release the button, the Power LED will change to a steady yellow;
6. Connect to the Wi-Fi network generated by the device using a nearby computer or mobile device. The network credentials are: Network Name (SSID): serial number (printed on the device casing) | Password: 12345678;
7. Once connected, access the DynaGateway configuration mode by typing <http://dynagateway-setup.local/> or 192.168.10.1 in the browser. On this page, initially log in using the following credentials:
Username: admin | Password: admin. Follow the specific instructions to configure the equipment;
8. Place the equipment in the desired location, considering the available infrastructure. Secure it well;
9. Ensure that the equipment LEDs are on;
10. Check the DynaGateway configuration on the DynaPredict platform by accessing the DynaGateways page. Ensure that the DynaLoggers collection is correctly configured and complete the installation.



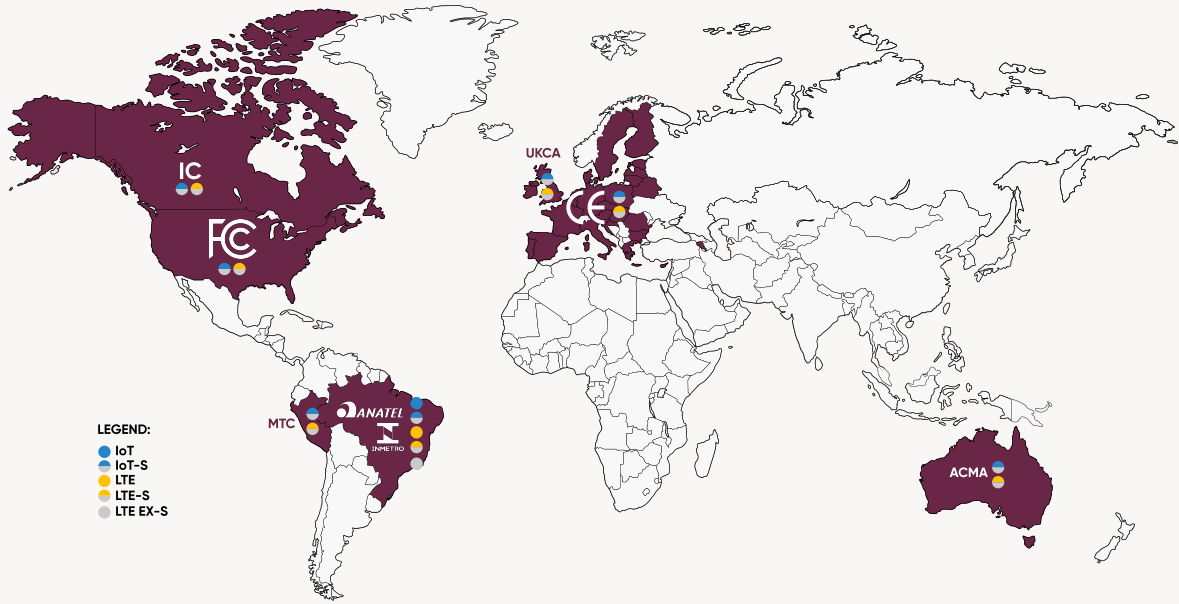
Technical Drawing



Dimensions in millimeters

CERTIFICATION

Homologation/Certification	ANATEL/CE/FCC/IC/MTC/UKCA/ACMA
IP Rating	IP66/IP67



For more information about certifications, contact our technical support at: www.dynamox.net/contact-us

© 2025, Dynamox® is a registered trademark.
All rights reserved.

The contents of this publication are presented for information purposes only. Every care has been taken to ensure the validity of the information contained in this publication, but no liability can be assumed for any loss or damage whether direct, indirect or arising from the use of the information contained herein. We reserve the right to modify or improve the specifications of our products at any time without prior notice.



Contact us:
www.dynamox.net/contact-us